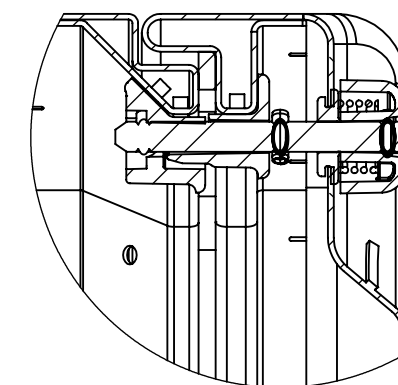
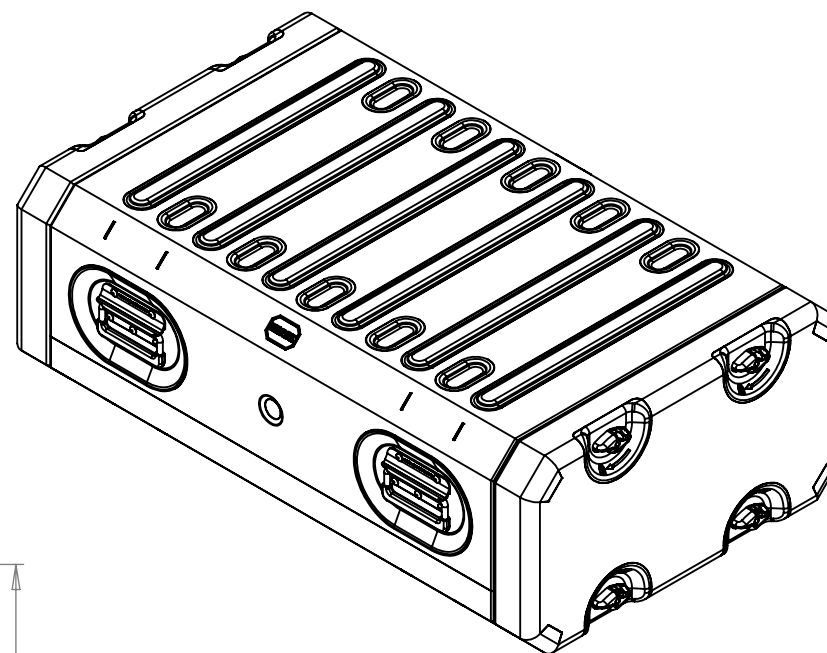
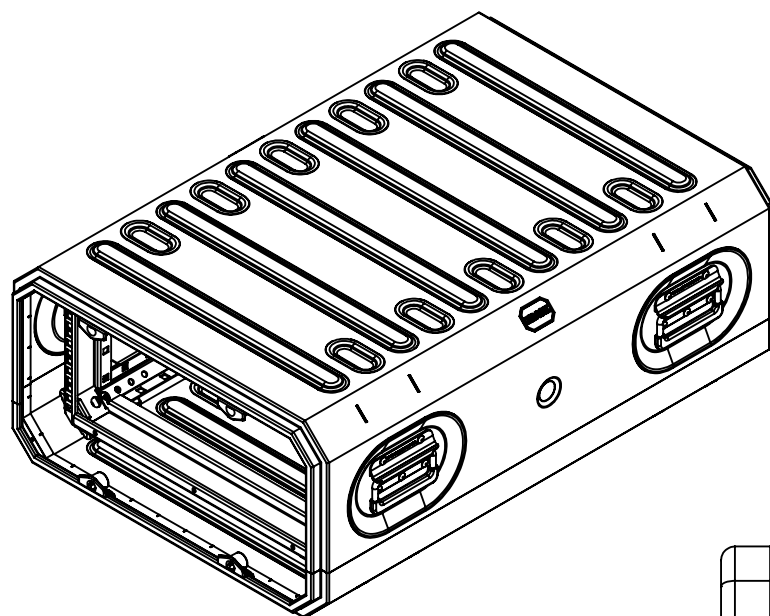
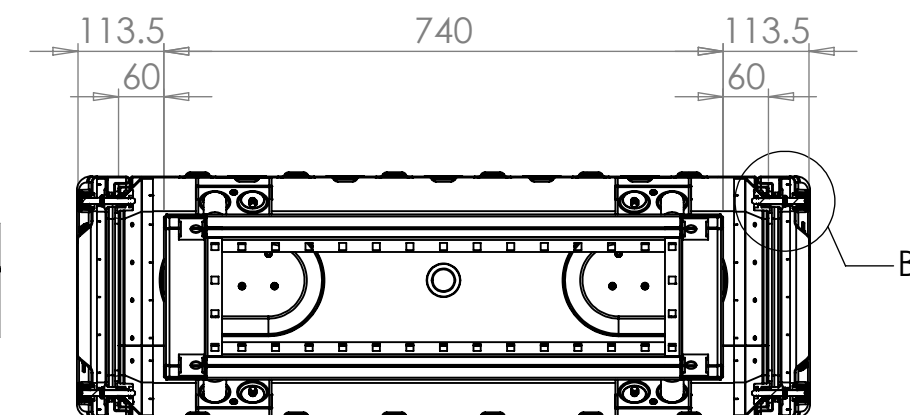
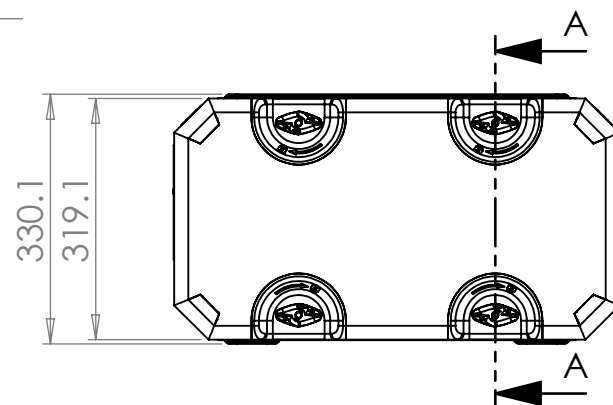
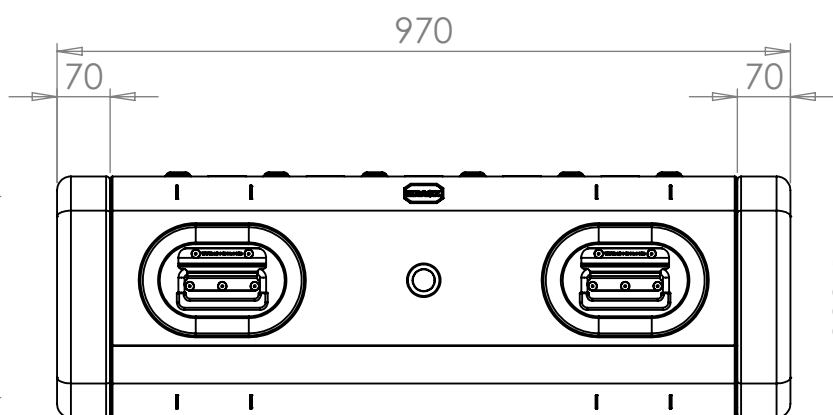
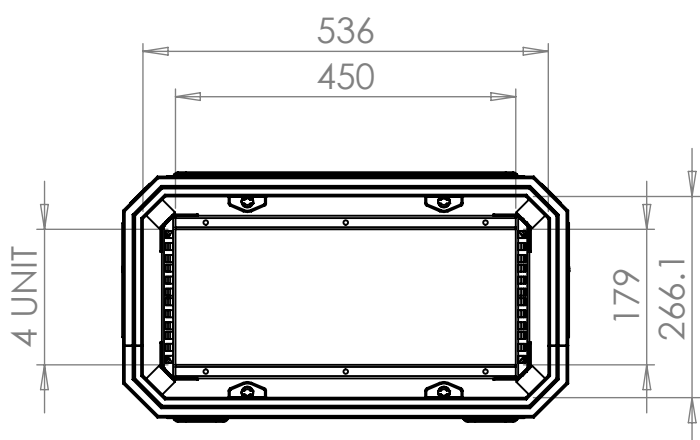
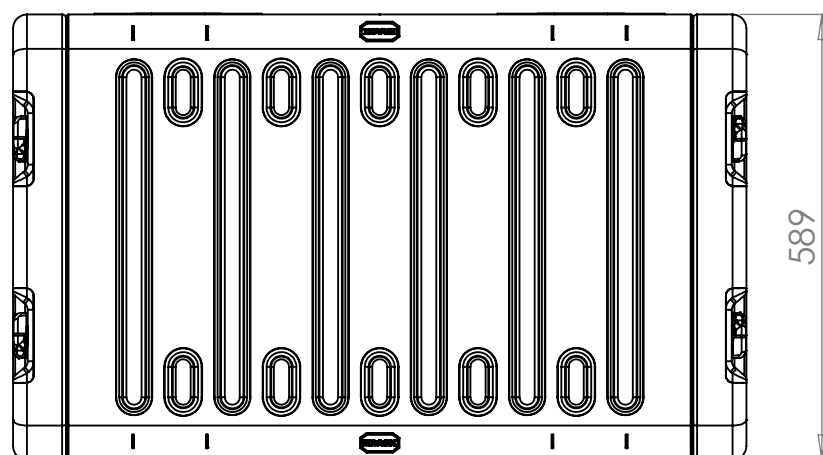


Revision Table

Revision	Description	Date	Approved
----------	-------------	------	----------



DETAIL B
SCALE 1 : 2



SECTION A-A

Title ERV2 Case 4U 740 Body/Lids	Material Aluminium	Finish Powdercoat	Date 22/11/2011	Drawn By MW	Revision A	Project ERV2	CP Cases Ltd. Worton Hall Industrial Estate, Worton Road, Isleworth, Middlesex, TW7 6ER, UK. Tel: +44 (0) 20 8568 1881 Fax: +44 (0) 20 8568 1141 Email: info@cpcases.com Website: www.cpcases.com															
								W/O No. 000000	Qty. 00	Sheet No. 1 Of 1	Nato Stock No. 8145-99-894-1507											
Drg. No. RR0474-0707	External Dimensions <table border="1"> <tr> <th>Height</th> <th>Width</th> <th>Length/Depth</th> </tr> <tr> <td>330.1</td> <td>589</td> <td>970</td> </tr> </table>			Height	Width	Length/Depth	330.1	589	970	Internal Dimensions <table border="1"> <tr> <th>Height</th> <th>Width</th> <th>Length/Depth</th> </tr> <tr> <td>N/A</td> <td>N/A</td> <td>N/A</td> </tr> </table>			Height	Width	Length/Depth	N/A	N/A	N/A	Dimensions In Millimeters. Do Not Scale. Third Angle Projection.		Tolerance Unless Stated Otherwise. Moulding Tolerance +/- (1%+1mm). Sheet Metal Tolerance +/-0.5mm.	
Height	Width	Length/Depth																				
330.1	589	970																				
Height	Width	Length/Depth																				
N/A	N/A	N/A																				

Copyright CP Cases Ltd. This drawing is the property of CP Cases Ltd & the information on it is confidential. It is not to be used for any other purpose without the prior written consent of CP Cases Ltd.