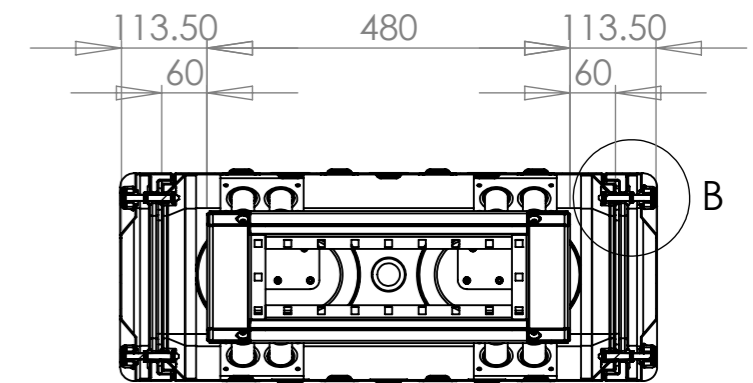
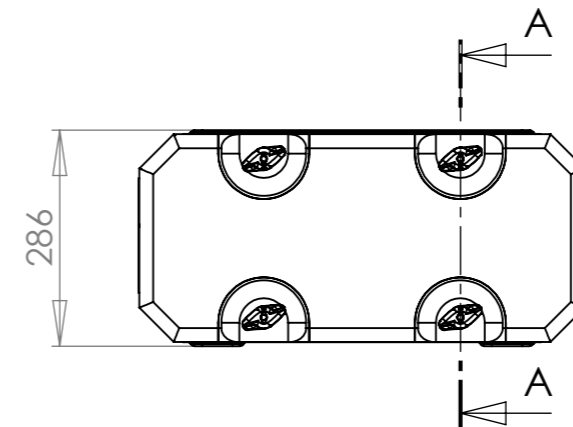
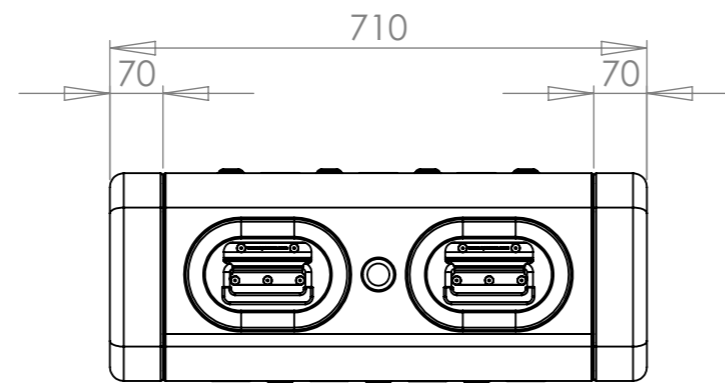
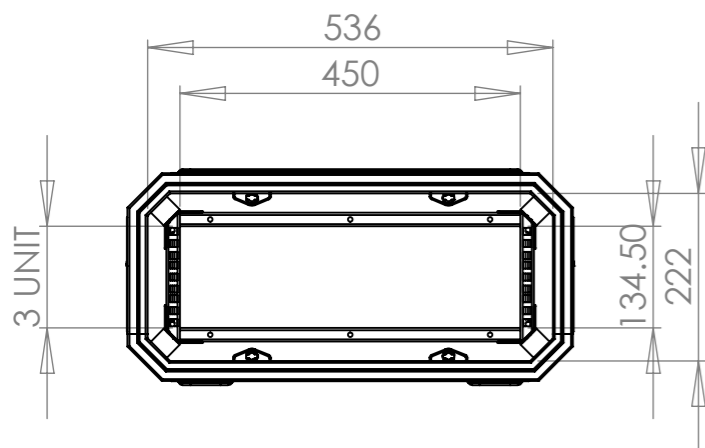


DETAIL B  
SCALE 1 : 2



SECTION A-A

Options Available	Part #	General Tolerance +/- (1%+1mm)			Title			Drg. No.	
		External Dimensions (mm)			E-Rack RR0348-0707			RR0348-0707	
		Height	Width	Depth	Drawn By	Date	Sheet No.	Issue No.	
		286	589	710	MW	17/09/2010	1 Of 1	02	
		Rack Size (U)		03	Dimensions In Millimeters		Third Angle Projection		
		Frame Depth (Inches)		480	Do Not Scale				

### CP Cases Ltd.

Worton Hall Industrial Estate, Worton Road,  
Isleworth, Middlesex, TW7 6ER, UK.  
Tel: +44 (0) 20 8568 1881 Fax: +44 (0) 20 8568 1141  
Email: info@cpcases.com Website: www.cpcases.com

Copyright CP Cases Limited.  
This drawing is the property of CP Cases Limited & the information on it is confidential & it is not to be used for any other purpose without the prior written consent of CP Cases Limited.