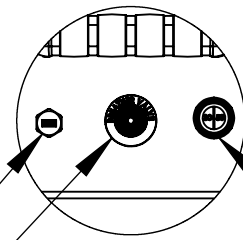
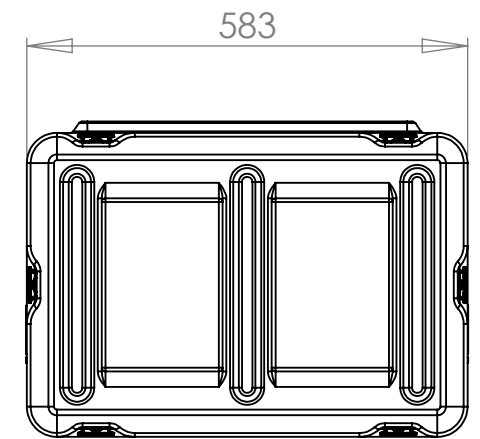
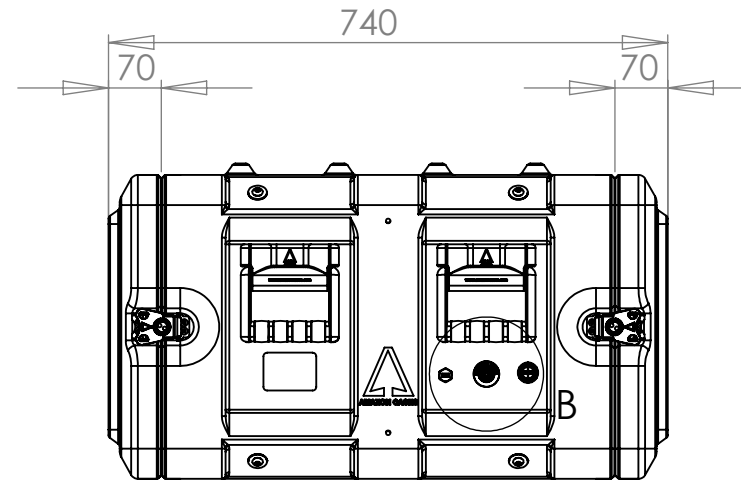
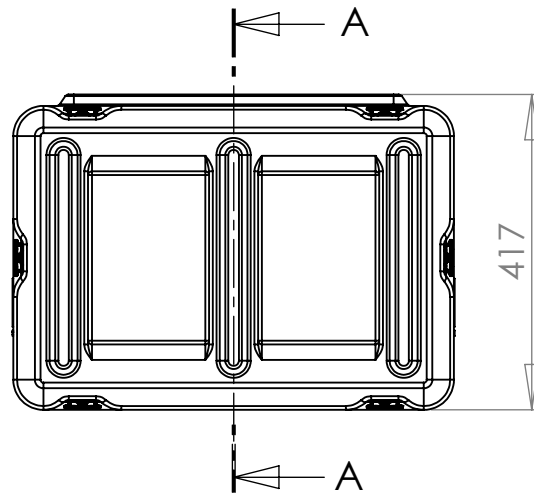
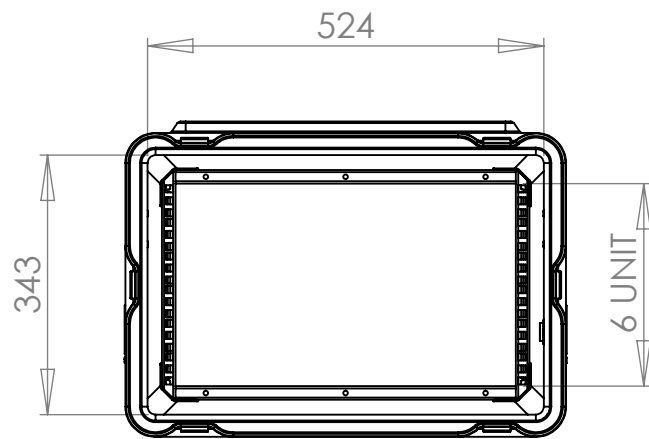
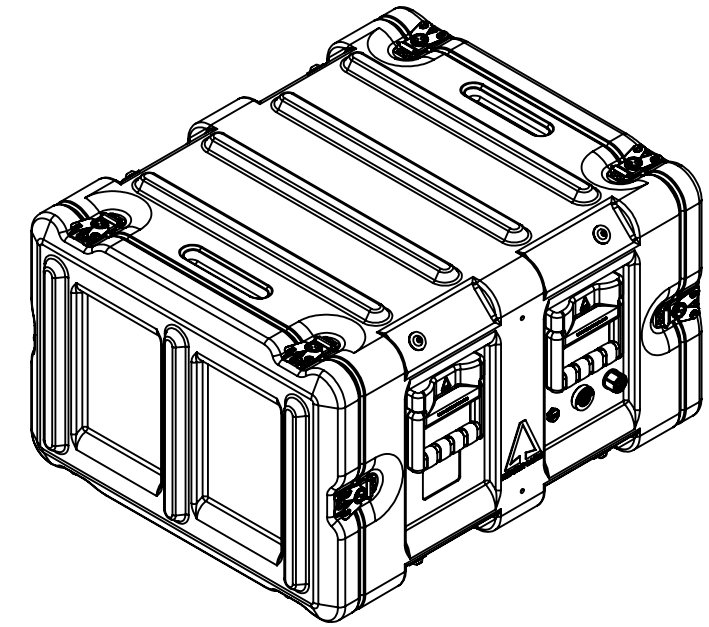


SECTION A-A

DETAIL B  
SCALE 1 : 5



PRV Option Gore Membrane Vent      PRV Option AGM Breather Valve      PRV Option Humidity Indicator



| Options Available   | Option Selected | Qty | Part #   |
|---------------------|-----------------|-----|----------|
| AGM Breather Valve  | Y               | 01  | AAPRV    |
| Gore Membrane Vent  | Y               | 01  | AAGTV    |
| Humidity Indicator  | Y               | 01  | AAHI     |
| Tie Down Anchor     | N               | 00  | AATD001  |
| Padlockable Latch   | N               | 00  | AALPLBK  |
| Linking Straps      | N               | 00  | AASSBLRS |
| Cable Stowage Pouch | N               | 00  | AASP**** |
| Easy-Glide          | N               | 00  | AAEGS**  |
| Support Shelf       | N               | 00  | AASS**   |
| Latch               | Y               | 12  | AALBK    |
| Plastic Handles     | Y               | 04  | AAHPL    |

| Nato Stock No (NSN)             |       |       |
|---------------------------------|-------|-------|
| 8145-99-989-1224                |       |       |
| Moulding Tolerance +/- (1%+1mm) |       |       |
| External Dimensions (mm)        |       |       |
| Height                          | Width | Depth |
| 417                             | 583   | 740   |
| Rack Size (U)                   |       | 06    |
| Frame Depth (mm)                |       | 480   |

| Title                     |            | Drg. No.               |           |
|---------------------------|------------|------------------------|-----------|
| Amazon Rack AR0648-0707   |            | AR0648-0707            |           |
| Drawn By                  | Date       | Sheet No.              | Issue No. |
| MW                        | 15/07/2010 | 1 Of 1                 | 02        |
| Dimensions In Millimeters |            | Third Angle Projection |           |
| Do Not Scale              |            |                        |           |

### CP Cases Ltd.

Worton Hall Industrial Estate, Worton Road,  
Isleworth, Middlesex, TW7 6ER, UK.  
Tel: +44 (0) 20 8568 1881 Fax: +44 (0) 20 8568 1141  
Email: amazon@cpcases.com Website: www.cpcases.com

Copyright CP Cases Limited.  
This drawing is the property of CP Cases Limited & the information on it is confidential & it is not to be used for any other purpose without the prior written consent of CP Cases Limited.