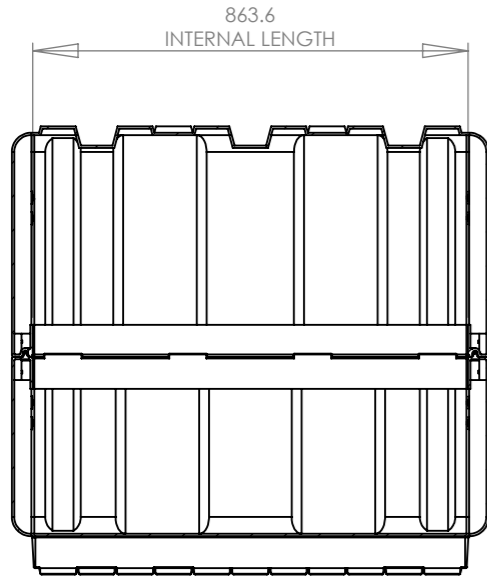
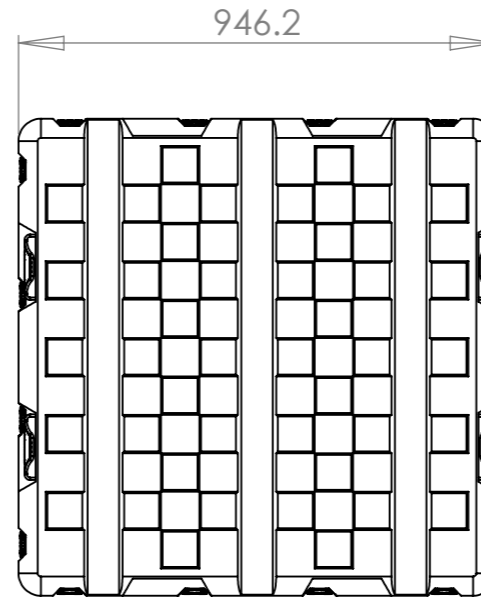
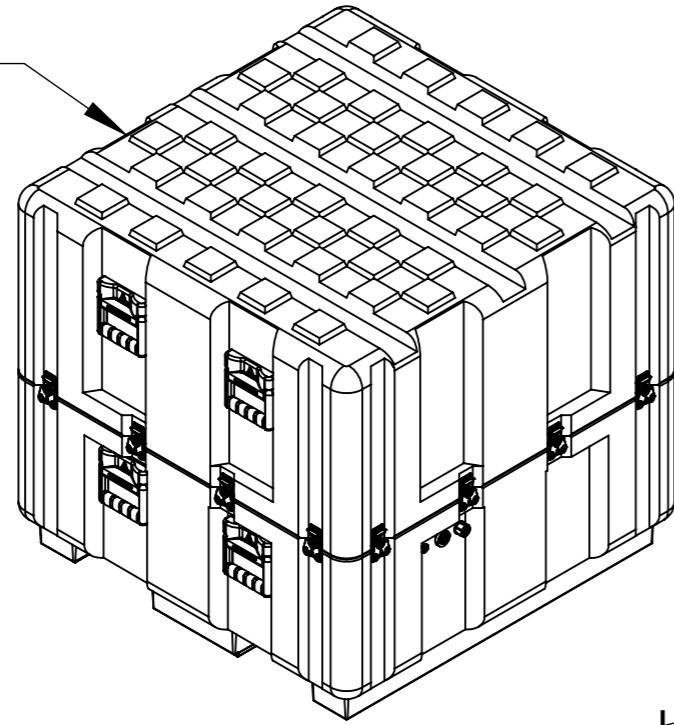
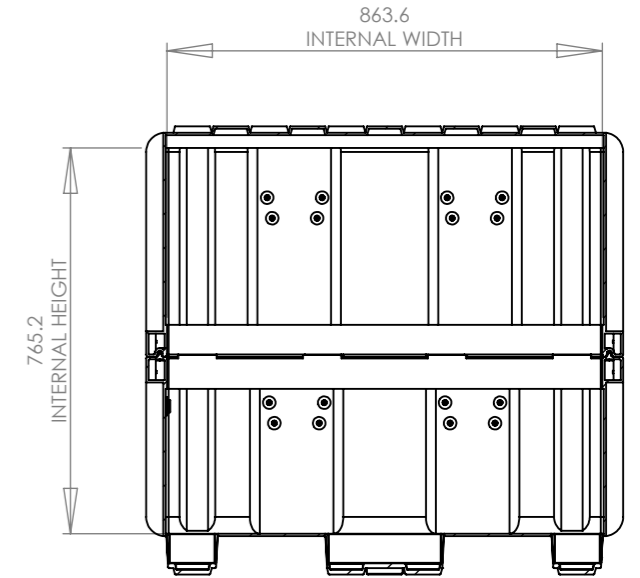
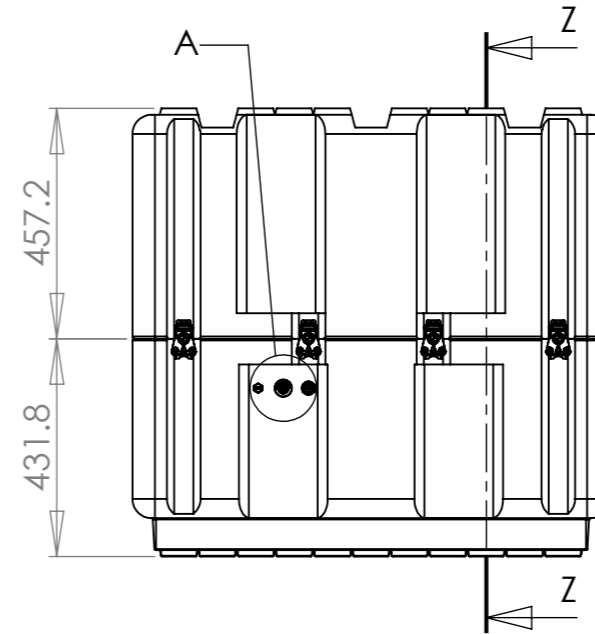
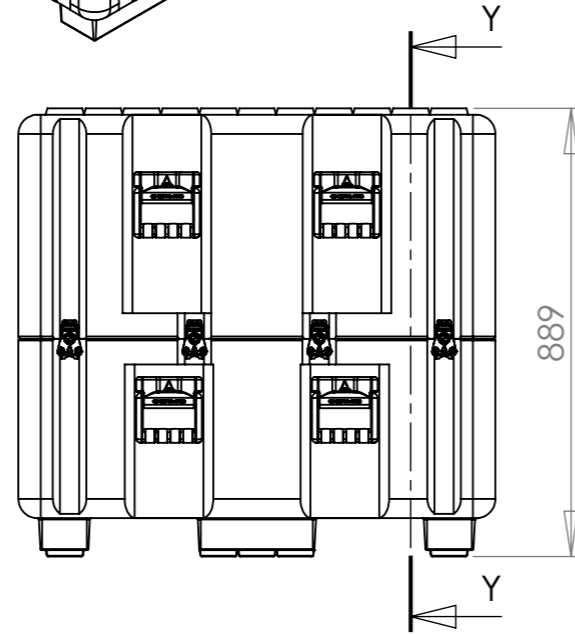


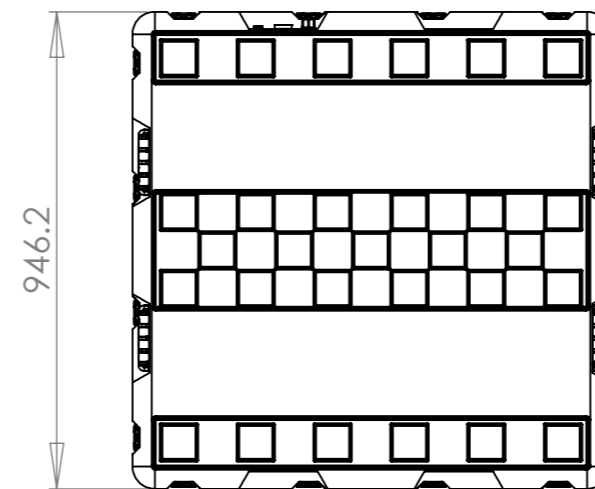
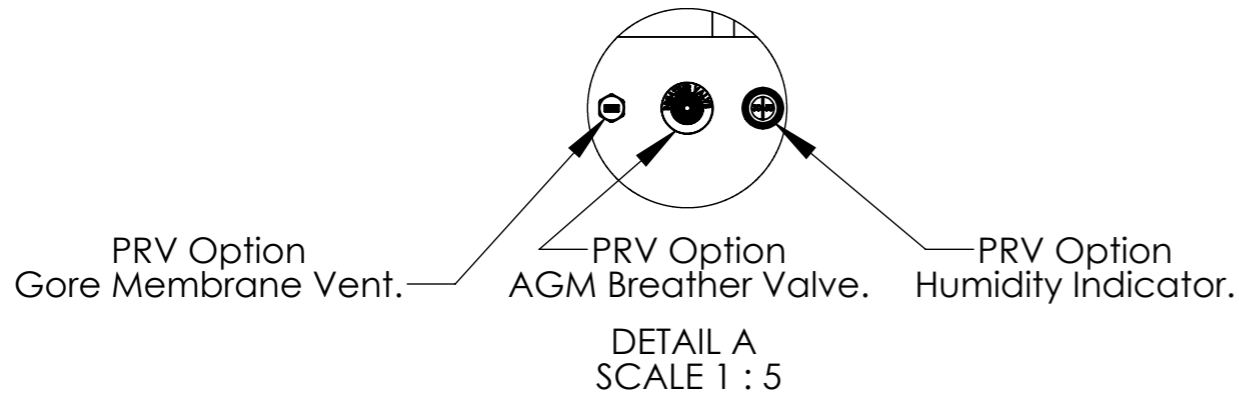
NOTE:
ALL CATCH LIFT OFF LID.



SECTION Y-Y



SECTION Z-Z



Title Amazon Case AC9595-4346/AC/FL		Material Polyethylene		Finish Self Colour		Date 15/07/2013	Drawn By MW	Revision A	Project Amazon (NA Origin)		CP Cases Ltd. Worton Hall Industrial Estate, Worton Road, Isleworth, Middlesex, TW7 6ER, UK. Tel: +44 (0) 20 8568 1881 Fax: +44 (0) 20 8568 1141 Email: info@cpcases.com Website: www.cpcases.com
Drg. No. AC9595-4346_AC_FL		External Dimensions		Internal Dimensions		W/O No. 000000	Qty. 00	Sheet No. 1 Of 1	Nato Stock No. 8145-99-883-3490		
Height	Width	Length/Depth	Height	Width	Length/Depth	Dimensions In Millimeters. Do Not Scale. Third Angle Projection.			Tolerance Unless Stated Otherwise. Moulding Tolerance +/- (1%+1mm). Sheet Metal Tolerance +/-0.5mm.		
889	946.2	946.2	765.2	863.6	863.6						Copyright CP Cases Ltd. This drawing is the property of CP Cases Ltd & the information on it is confidential. It is not to be used for any other purpose without the prior written consent of CP Cases Ltd.