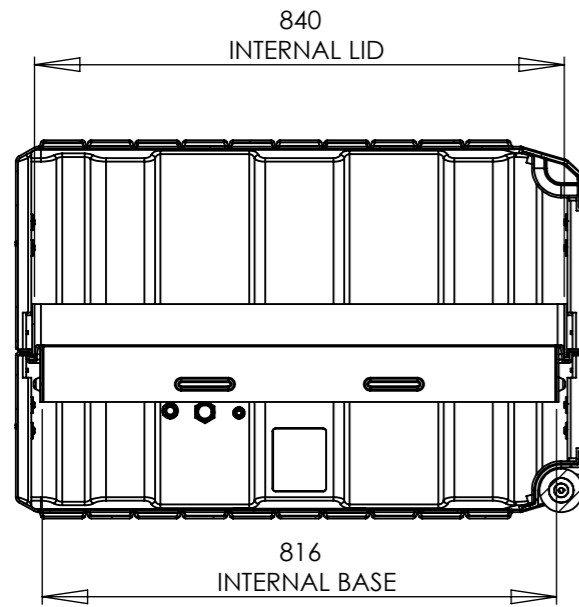
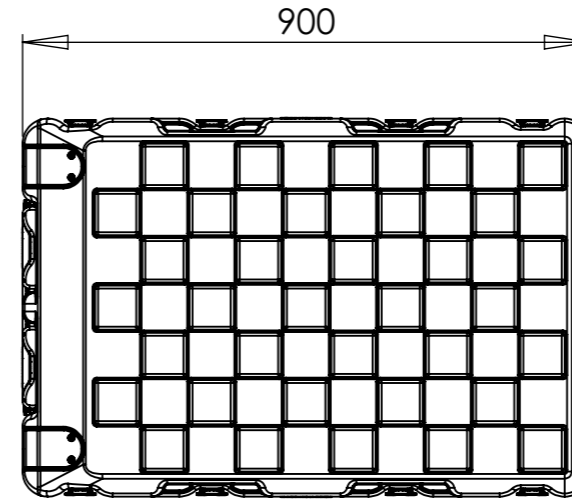
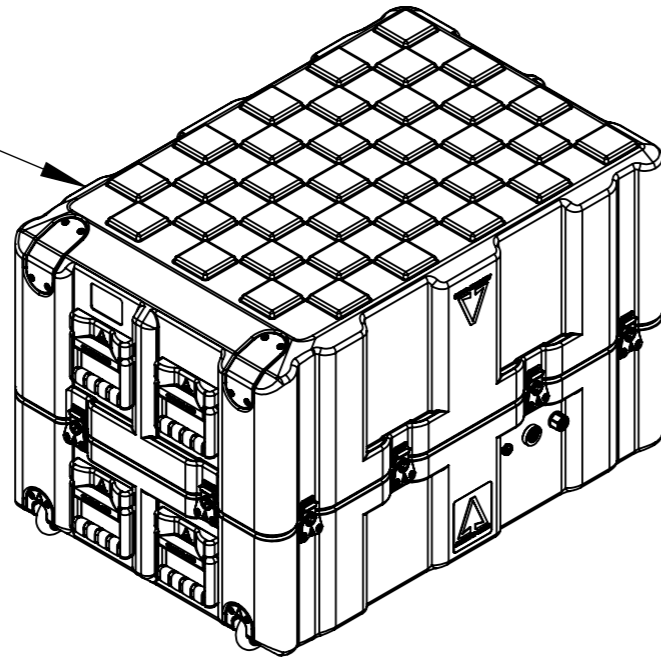
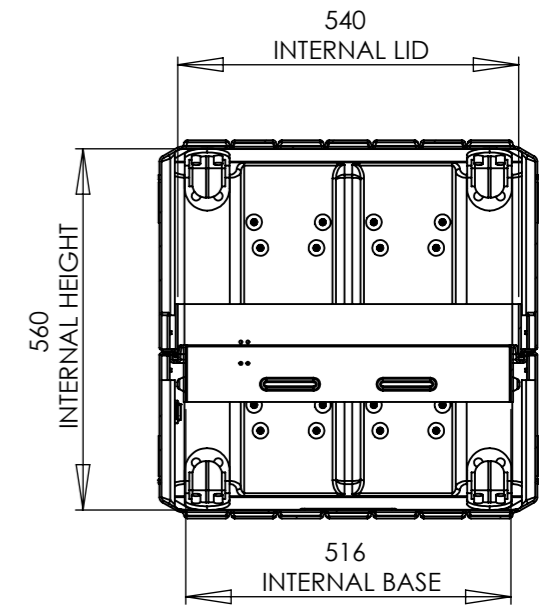
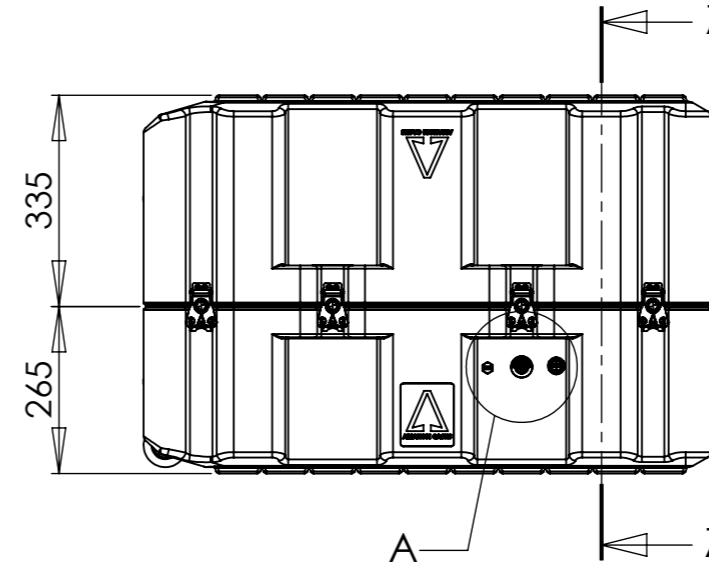
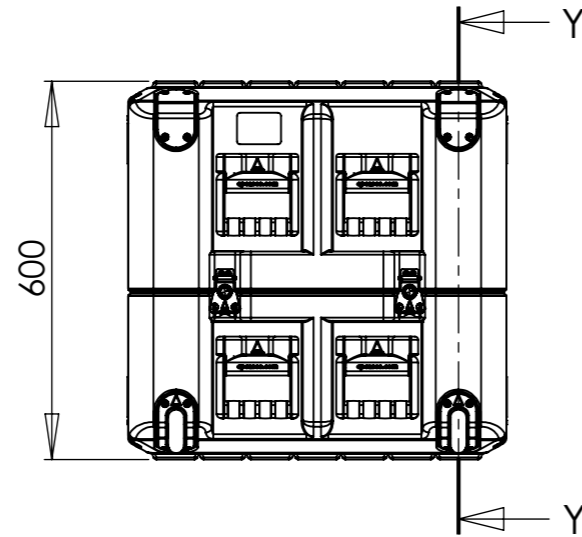


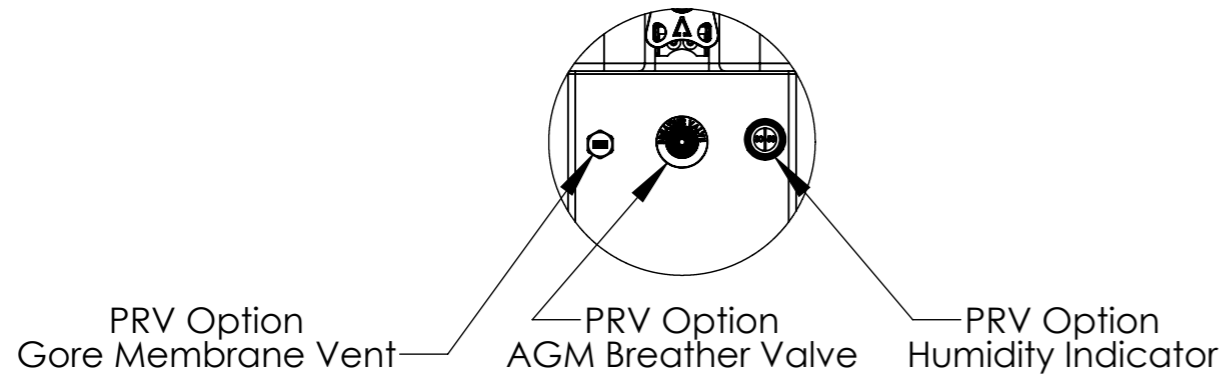
NOTE:  
ALL CATCH LIFT OFF LID.



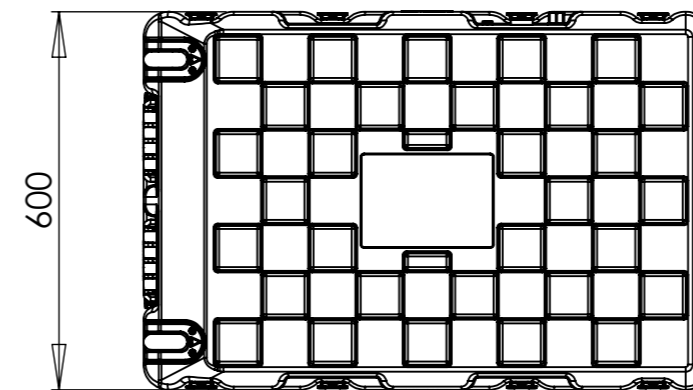
SECTION Y-Y  
SCALE 1 : 12



SECTION Z-Z  
SCALE 1 : 12



DETAIL A  
SCALE 1 : 5



<b>Title</b> Amazon Case AC9060-2733/AC	<b>Material</b> Polyethylene	<b>Finish</b> Self Colour	<b>Date</b> 22/06/2010	<b>Drawn By</b> MW	<b>Revision</b> A	<b>Project</b> Amazon	<b>CP Cases Ltd.</b> Worton Hall Industrial Estate, Worton Road, Isleworth, Middlesex, TW7 6ER, UK. Tel: +44 (0) 20 8568 1881 Fax: +44 (0) 20 8568 1141 Email: info@cpcases.com Website: www.cpcases.com <small>Copyright CP Cases Ltd. This drawing is the property of CP Cases Ltd &amp; the information on it is confidential. It is not to be used for any other purpose without the prior written consent of CP Cases Ltd.</small>
<b>Drg. No.</b> AC9060-2733_AC	<b>External Dimensions</b> Height Width Length/Depth 600 600 900	<b>Internal Dimensions</b> Height Width Length/Depth 560 540 840	<b>W/O No.</b> 000000	<b>Qty.</b> 00	<b>Sheet No.</b> 1 Of 2	<b>Nato Stock No.</b> 8145-99-731-8675	
			<b>Dimensions In Millimeters.</b> Do Not Scale. Third Angle Projection.			<b>Tolerance Unless Stated Otherwise.</b> Moulding Tolerance +/- (1%+1mm). Sheet Metal Tolerance +/-0.5mm.	