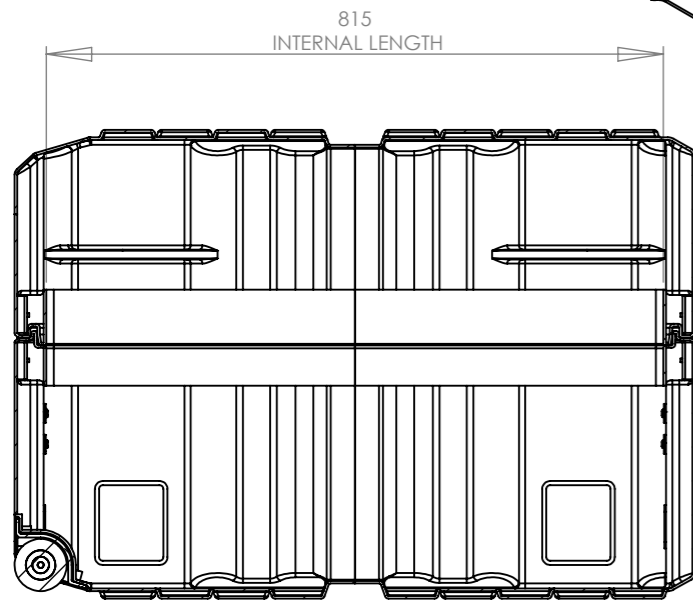
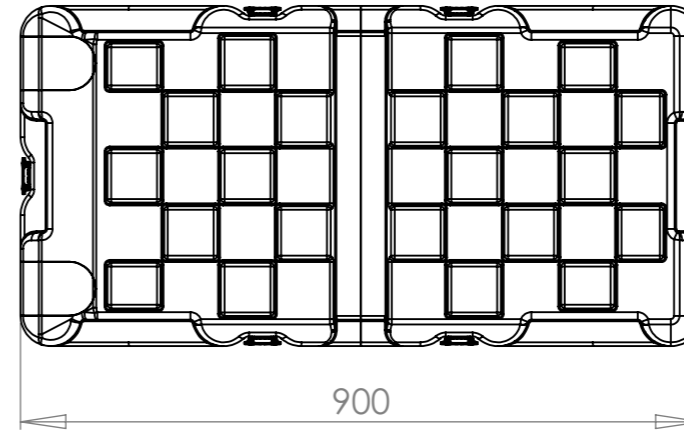
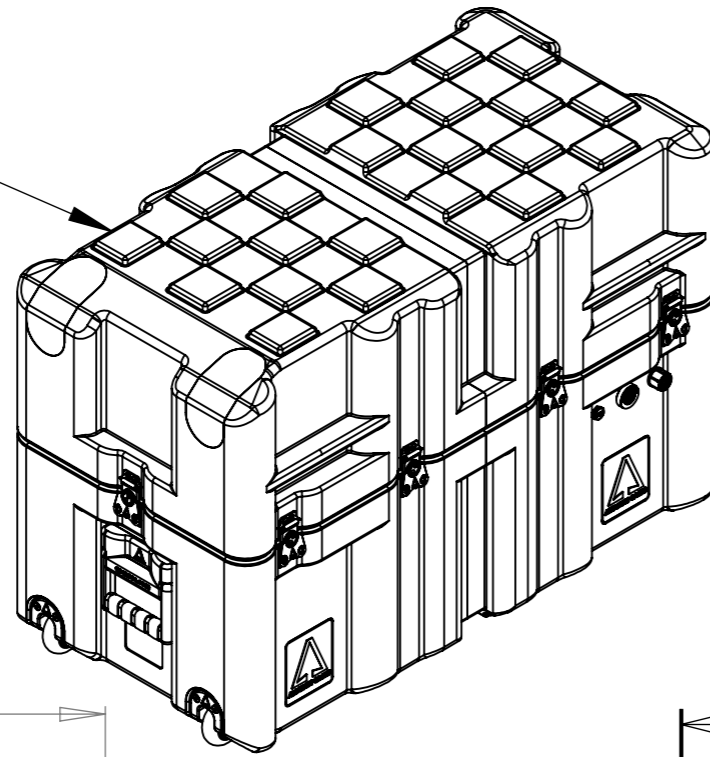
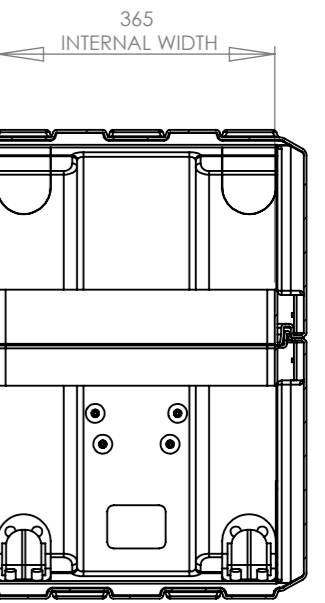
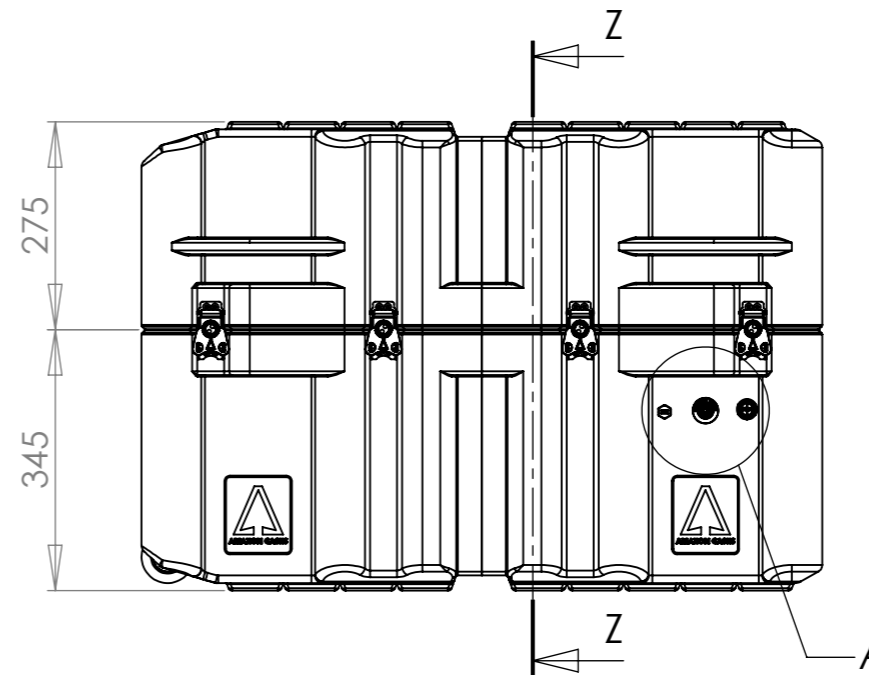
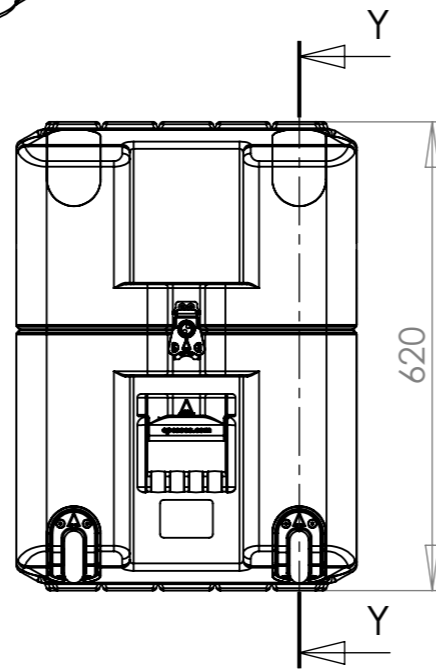


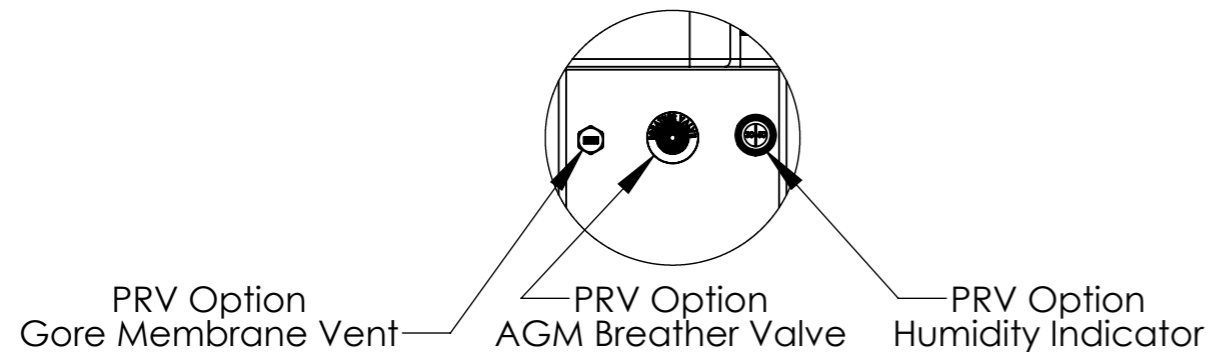
NOTE:  
ALL CATCH LIFT OFF LID.



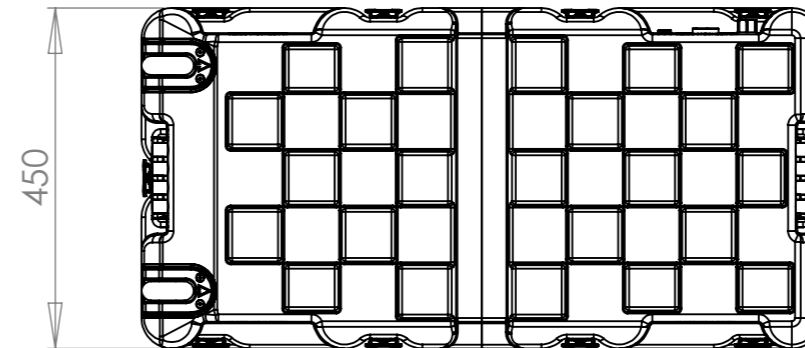
SECTION Y-Y



SECTION Z-Z



DETAIL A  
SCALE 1 : 5



|  |                      |                                 |                            |                              |                     |                            |   |                            |  |  |
|--|----------------------|---------------------------------|----------------------------|------------------------------|---------------------|----------------------------|---|----------------------------|--|--|
| <b>Title</b><br>Amazon Case AC9045-3327/AC |                      | <b>Material</b><br>Polyethylene |                            | <b>Finish</b><br>Self Colour |                     | <b>Date</b><br>21/06/2010  | <b>Drawn By</b><br>MW   | <b>Revision</b><br>A       | <b>Project</b><br>Amazon   | <b>CP Cases Ltd.</b><br>Worton Hall Industrial Estate, Worton Road,<br>Isleworth, Middlesex, TW7 6ER, UK.<br><b>Tel:</b> +44 (0) 20 8568 1881 <b>Fax:</b> +44 (0) 20 8568 1141<br><b>Email:</b> info@cpcases.com <b>Website:</b> www.cpcases.com |
| <b>Drg. No.</b><br>AC9045-3327_AC          |                      | <b>External Dimensions</b>      |                            | <b>Internal Dimensions</b>   |                     | <b>W/O No.</b><br>000000   | <b>Qty.</b><br>00   | <b>Sheet No.</b><br>1 Of 2 | <b>Nato Stock No.</b><br>8145-99-284-3371  |  |
|  | <b>Height</b><br>620 | <b>Width</b><br>450             | <b>Length/Depth</b><br>900 | <b>Height</b><br>560         | <b>Width</b><br>365 | <b>Length/Depth</b><br>815 | <b>Dimensions In Millimeters.</b><br>Do Not Scale.<br>Third Angle Projection. |                            | <b>Tolerance Unless Stated Otherwise.</b><br>Moulding Tolerance +/- (1%+1mm).<br>Sheet Metal Tolerance +/-0.5mm. | <small>Copyright CP Cases Ltd. This drawing is the property of CP Cases Ltd &amp; the information on it is confidential.<br/>It is not to be used for any other purpose without the prior written consent of CP Cases Ltd.</small>               |