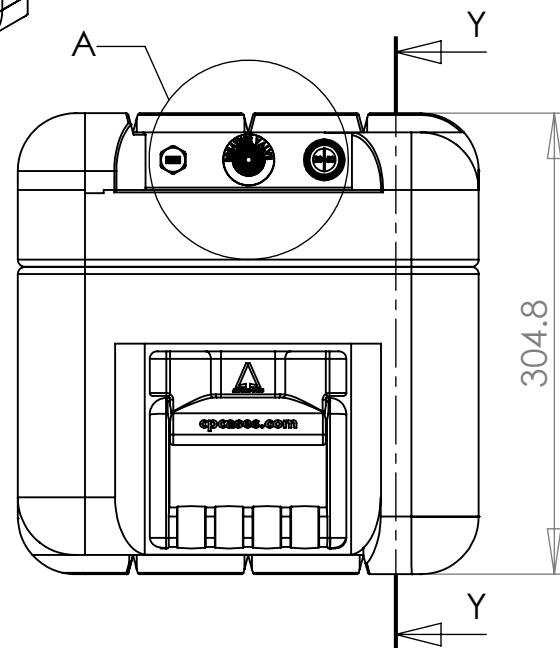
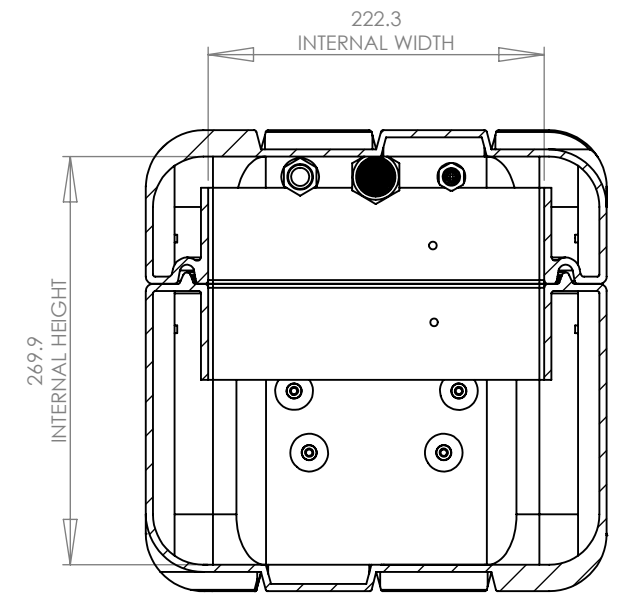
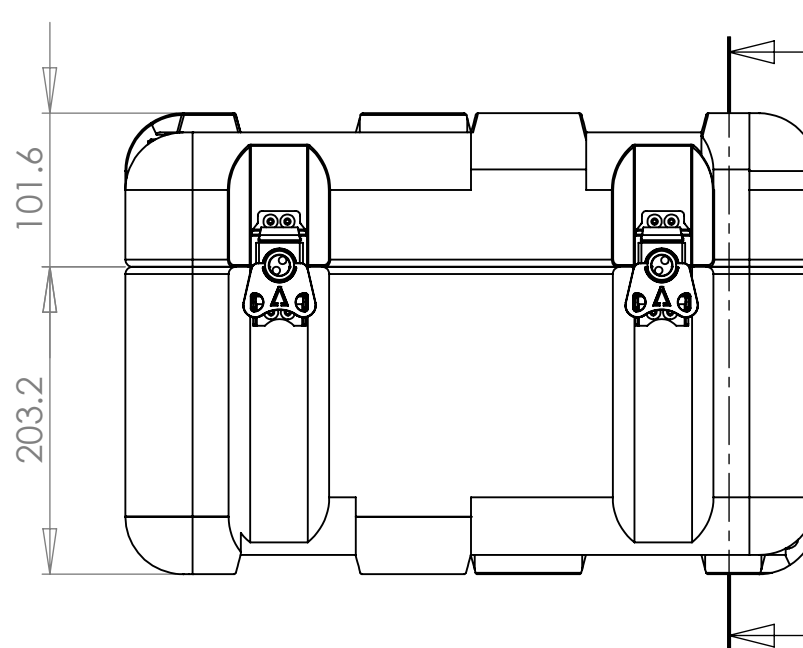


SECTION Y-Y

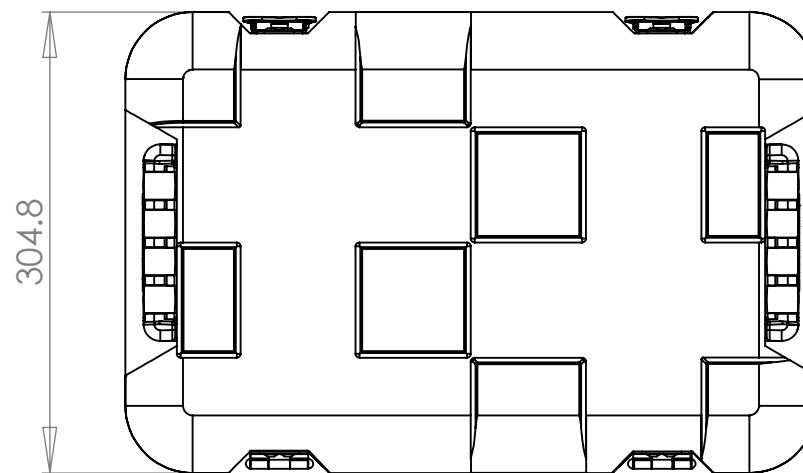


DETAIL A



SECTION Z-Z

PRV Option Gore Membrane Vent. PRV Option AGM Breather Valve. PRV Option Humidity Indicator.



| | | | | | | | | | | | |
|---|--------|---------------------------------|--------------|------------------------------|-------|---------------------------|--|----------------------------|---|---|--|
| Title Amazon Case AC4631-2110 | | Material Polyethylene | | Finish Self Colour | | Date 12/07/2013 | Drawn By MW | Revision A | Project Amazon (NA Origin) | | CP Cases Ltd. Worton Hall Industrial Estate, Worton Road, Isleworth, Middlesex, TW7 6ER, UK. Tel: +44 (0) 20 8568 1881 Fax: +44 (0) 20 8568 1141 Email: info@cpcases.com Website: www.cpcases.com |
| Drg. No. AC4631-2110 | | External Dimensions | | Internal Dimensions | | W/O No. 000000 | Qty. 00 | Sheet No. 1 Of 1 | Nato Stock No. 8145-99-152-0888 | | |
| | Height | Width | Length/Depth | Height | Width | Length/Depth | Dimensions In Millimeters. Do Not Scale. Third Angle Projection. | | | Tolerance Unless Stated Otherwise. Moulding Tolerance +/- (1%+1mm). Sheet Metal Tolerance +/-0.5mm. | Copyright CP Cases Ltd. This drawing is the property of CP Cases Ltd & the information on it is confidential. It is not to be used for any other purpose without the prior written consent of CP Cases Ltd. |
| | 304.8 | 304.8 | 457.2 | 269.9 | 222.3 | 374.7 | | | | | |